

GSM
Home Alarm System

Contents

1. Preface -----	1
2. Main Features -----	2
3. Technical Information -----	3
4. Front Panel Diagram -----	4
5. Back Panel Diagram -----	5
6. Initialization -----	5
7. Pre-record Voice Message -----	6
8. Add/Delete Accessories Via Alarm Panel Keypad -----	6
9. Daily Operation -----	7
9.1 System Arm -----	7
9.2 System Disarm -----	7
9.3 System Stay Arm -----	8
9.4 SOS -----	8
10. GSM Operation -----	9
10.1 Answer Alarm Call -----	9
10.2 Remote Phone Call Control -----	9
10.3 Setting Command Via Keypad, Mobile Phone Call and SMS -----	9
10.4 SMS Query Command and Setting -----	14
11. System Factory Default -----	17
12. Installation of the Detectors -----	17
13. Maintenance -----	18
14. App Control -----	19

1. Preface

Thanks for choosing our GSM home alarm system. This system will provide full protection in 24 hours all around the year for your house and property.

The wireless alarm system adopts the advanced digital security technology, it is of high reliability and low false alarm rate. Though the design is simple, function is very strong. It includes the functions of anti-fire, anti-burglar, anti-gas, anti-intrusion and SOS emergency, etc. The wireless detectors which pair with the system have humanized functions of anti-interference, avoiding the false alarm, etc. This alarm system is widely used in family, factories, schools, shops, convenience stores, villas, residential areas where needs to be protected.

To ensure your safety and proper use the system, please read this user manual carefully before installation. Please contact your local distributor or authorized technology service center for consulting if you encounter problems during installation. You also can call the after-sale service phone numbers of our company, our engineer will help to solve the problems.

2. Main Features

- 850/900/1800/1900Mhz GSM Frequency for global use;
- LCD display, voice prompt, easy for cooperation.
- 99 wireless zone + 2 wired zone. Each zone have 8 zone types for choosing. Normal/ Stay/Smart/Emergency/Close/Chime/Welcome/Help Senior Zone;
- Support 9 groups of alarm phone numbers and 9 groups of SMS phone numbers
- Can add 150pcs sensors &150pcs remote controller &99 RFID tags;
- Support 4 groups timing arm/disarm by weeks;
- Support Mobile APP Control;
- Voice prompt for all the operations
- Low battery alert of the accessories (need use accessories with this function)
- Door Sensor two-way function (need use accessories with this function)
- Build-in rechargeable battery
- AC OFF SMS remind
- Anti-Tamper Switch
- Support wireless siren(433Mhz frequency)
- Wireless learning code, fast and easy to add new accessories

Zone Type :

Normal Zone: The panel only works under arm and stay arm status, it is not working when disarming.

Stay Zone: When alarm panel is under stay arm status, the detectors under stay zone will not alarm even it is triggered. (For example, a user installed a door contact in zone 1(Normal Zone), a PIR detector in zone 2 (Stay Zone), the user press “S” key of the remote control, then the alarm panel is under Stay Arming Status. When the user walks around at home, PIR detector will detect the movement of the human and send signal to alarm panel, but it does not alarming; if the user opens the door in zone 1, the alarm panel will alert immediately.

Intelligent Zone: Alarm panel will not alarm if the detectors in the Smart Defense Zone was triggered only once, but if it was triggered again within 30 seconds after the first trigger, the alarm panel will alert immediately.

Emergency Zone: the detectors which under Emergency Defense Zone were triggered, then the alarm panel will alert no matter is on arming or disarming status.

Close Zone: No matter on arm or disarm status, detectors which under Close Zone will not alert even being triggered.

Chime Zone: Under disarm status, alarm panel will voice prompt “DingDong” when the sensors were triggered which added into chime zone.

Welcome Zone: Under disarm status, alarm panel will voice prompt "Welcome" when the sensors were triggered which added in welcome zone.

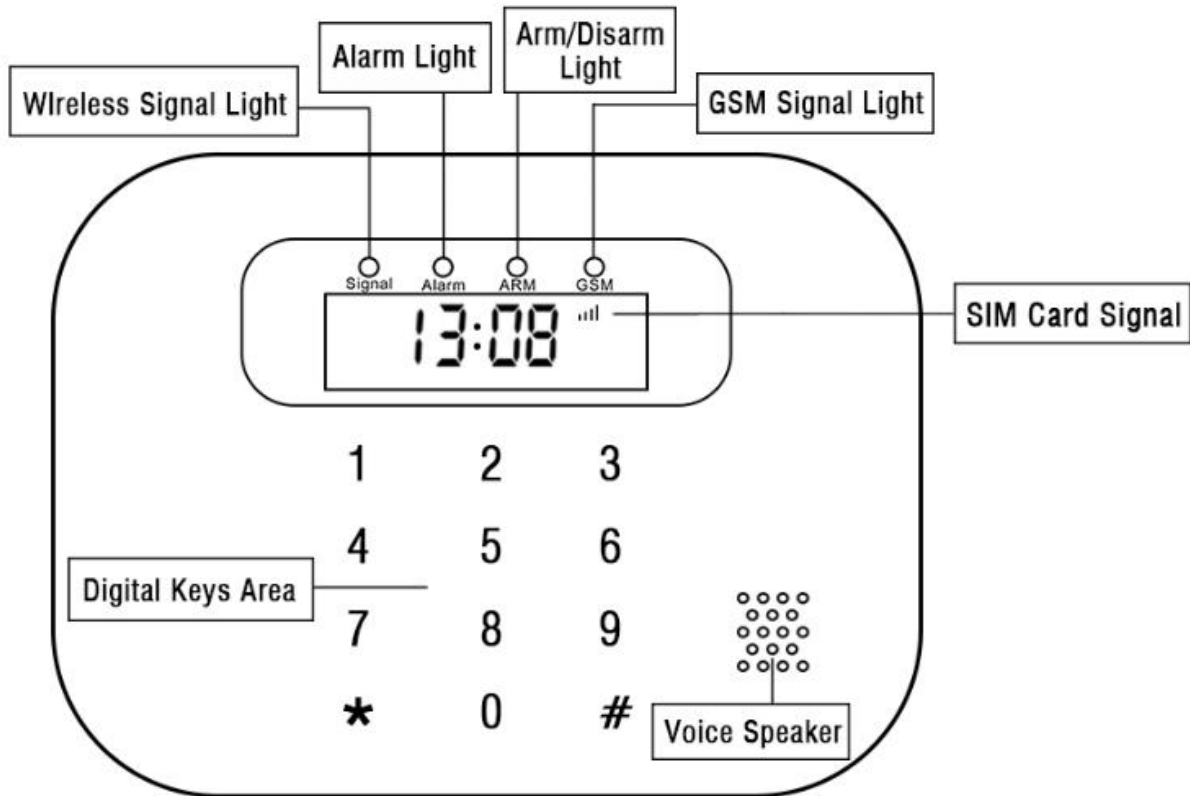
Notes: when system is under arm and stay arm status, system will alarm when the sensors was triggered which added into chime and welcome zone.

Help Senior Zone: No matter system is under arm or disarm status, alarm panel will dial group 7,8,9 preset alarm phone number when the sensors were triggered which added into senior zone.

3. Technical Information

- Power supply: AC5V 50Hz/60Hz
- Working Voltage: DC5V
- Static Current: < 30mA
- Alarm Current: < 170mA
- Back up Battery: DC3.7V NI-HI AAA*6
- Standby Time: 6h
- Charging Time: 4h
- GSM Frequency: GSM850/900/1800/1900MHz
- Receiver and Transmitting Frequency: 433MHz, 2262/3M-4.7M, EV1527/300K
- Siren: 110dB

4. Front Panel Diagram



► Wireless Signal Light:

Signal light is on or flashing → Alarm panel is receiving RF and RFID signal.
Signal light is off → Alarm panel did not receive any signal.

► Alarm Light:

Alarm light is on → Alarm is triggered and alert;
Alarm light is flashing → Alarm panel is under delay alarm status;
Alarm light is off → No any alert;

► Alarm Light:

Arm light flash fast → Alarm panel under stay arm status;
Arm light is on → Alarm panel is under arm status;
Arm light flash slow → Alarm panel under delay arm status;
Arm light is off → Alarm panel is under disarm status;

► GSM Signal Light:

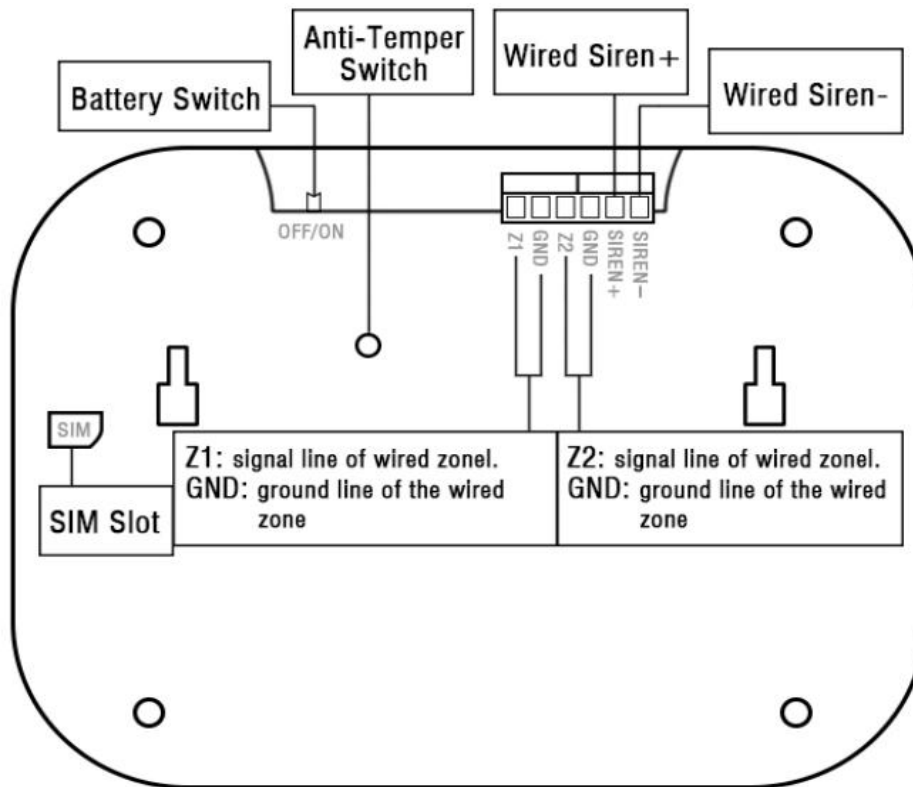
GSM light flash fast → Alarm panel is searching GSM signal;
GSM light flash slow → Alarm panel GSM signal normal;

► **SIM Card Signal Light:**

SIM card signal on → Alarm panel detected card and searched signal;

SIM card signal flash → Alarm panel did not insert SIM card or no signal;

5. Back Panel Diagram



6. Initialization

Insert SIM Card, connect power supply, and then switch on the alarm panel, the panel will voice prompt "Welcome to use alarm system", and start searching GSM network.

7. Pre-record Voice Message

Alarm panel will broadcast a pre-recorded voice message after it call the pre-set phone numbers.

1. press "# " key to enter setting status;
2. press "19#", speak your message at the panel for recording.
3. System will record 10 Seconds and then exit automatically, or press any key to end whenever your message end.
4. Press "* #" to exit setting status.

8. Add/Delete Accessories Via Alarm Panel Keypad

Add RFID tags :

1. Press "# "Key to enter setting status;
2. Press command "05+(01~99)+# " to add RFID tags, (01~99) means zone 99 RFID tags.

Example: Press 0501# to add number 1 RFID tags, and then put the tags onto the RFID coil of the alarm panel, then alarm panel voice prompt "add successful". It means add successfully. If "Beep" one time means already added, please change another one to add.

3. Press "* #" to exit setting status.

Alarm panel can add maximum 99 RFID tags of different code.

Delete RFID tags:

1. Press "# "key to enter setting status.
2. Press command "06+(01~99)+# " to delete RFID tags one by one ; Press command "06+**+#"to delete all RFID tags which added to the panel.
3. Press "* #" to exit setting status.

Add Remote Control:

1. Press "# "Key to enter setting status;
2. Press command "07+(01~99)+# " to add remote control, (01~99) means 99 serial number.

Example: Press "0701#" means add one remote controller to serial number 1, alarm panel will "Beep" "Beep" two times and alone with voice prompt "add successful". It means add successfully. If "Beep" one time means already added, please change another one to add.

3. Press "* #" to exit setting status.

Alarm panel can add maximum150 remote control of different code.

Delete Remote Control:

1. Press "# "Key to enter setting status;
2. Press command "08+(01~99)+#" to delete the remote controls; Press command "08+**+#"to delete all the remote controls which added to the panel.
3. Press "* #" to exit setting status.

Add Detector:

1. Press "# "Key to enter setting status.
2. Press command "09+(01~99)+#" to add detectors.
3. Press "* #" to exit setting status.

Alarm panel can add maximum150 remote control of different code.

Delete Detector:

1. Press "# "Key to enter setting status.
2. Press command "10+(01~99)+#" to delete the detectors which added in zone 1~zone 99; Press command "10+**+#"to delete all the detectors which added to the panel.
3. Press "* #" to exit setting status.

9. Daily Operation

9.1 System Arm

It means to guard all around your house while everyone is going out, all detectors of the panel are under working. When detectors were triggered by detecting source (anti-theft, fire prevention, gas leak, etc.) The alarm panel will sound alarm. There are four methods to arm:



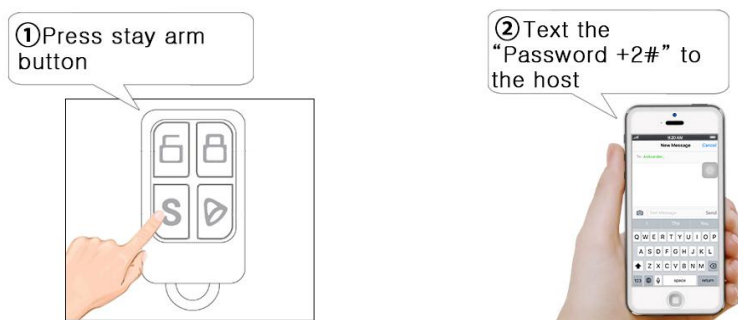
9.2 System Disarm

It means to stop the alarm when the panel sounds or make the alarm system in the status of non-warning. After disarming, the panel would not sound alarm even if you trigger the detectors. There are four methods to disarm.



9.3 System Stay Arm

It means partial arming for the panel when somebody is at home, and needs to enable peripheral: door, window, balcony and boundary detectors to prevent to trigger the indoor detectors which may cause improper alarm, then you shall select Stay Arm, just activate part of the detectors can be activated to make sound alarm and dis-activated the other part. There are two methods to stay arm.



9.4 SOS

In emergency, press the SOS button on the remote controller, the system panel will start alarm and call the preset phone numbers automatically for help. There are two methods to start SOS emergency.



Notes: If alarm panel keypad lock enabled, user need enter password before any other operations. Default password is: 1234

10. GSM Operation:

10.1 Answer Alarm Call

When alarm occurs, alarm panel will dial the pre-set number from Group 1-9 meanwhile sent SMS to preset SMS phone number. If the user's phone is busy or can not be connected, the alarm system will transfer to dial the next preset phone number till three cycles. User no need to enter password after received the alarm call to play the record. Press the number keys on the phone to operate the corresponding control functions:

[0] key: Arm	[1] key: Disarm
[2] key: Monitor	[3] key: Stop Monitor
[4] key: Intercom	[5] key: Stop Intercom
[6] key: To make siren beep	[7] key: Turn on siren beep

Remark:

Intercom time is 20s, press 3 to intercom for another 20s.

10.2 Remote Phone Call Control

User can use phone to make a call to remote control the panel, panel will pick-up the call automatically and then will have voice prompt "Enter Password" , then enter the password (default password is "1234", it will remind the user to enter password again if password is wrong. the alarm system will automatically hang up if the third time still enter wrong password), the alarm system will remind the password is correct after entered correct password, then user can press the below number keys on the phone to do control functions:

[0] key: Arming	[1] key: Disarming
[2] key: Monitor	[3] key: Stop Monitor
[4] key: Intercom	[5] key: Stop Intercom
[6] key: To make siren beep	[7] key: Turn on siren beep

[*] key: Hang up,

[#] key: Enter remote configuration mode, user can do status settings to the alarm host according to instructions in instruction table. If no operation in 20s, it will hang up automatically.

10.3 Setting Command Via Keypad, Mobile Phone Call and SMS

Except WiFi App can set alarm system parameter, user also can through alarm panel touch keypad, phone call and SMS to set. Command format are as below:

1. Touch keypad: Press [#]+[Command] to do setting, and then press [* #] to exit setting
2. Phone call: Call the SIM card number of the alarm system, input [Command] to do setting.
3. SMS: Send [Password] + [Command] to the SIM card number of the alarm system.

Notes: As for user use extension telephone which need dial a number then can dial out (such as "9"), then need add "9*" before telephone no. For example send message

"1234319*13899998888#"

Command Table:

Alarm Phone Number Setting	[1-9] Means 9 groups alarm phone number E.g. Set 13868686868 as the 3 rd group alarm phone number.
Command: [3] +[1-9]+ [Phone No.]+[#]	1. Press [#] on the panel and then press [3113868686868#] 2. Remote calling the alarm panel, input [password]+[#] to enter setting status, input [3113868686868#] 3. Send SMS message [12343113868686868#]
Delete Alarm Phone Number Setting	E.g. Delete 2 nd groups alarm phone call number
Command: [3]+[1-9]+[#]	1. Press [#] on the panel and then press [32#] 2. Remote calling the alarm panel, input [password]+[#] to enter setting status, input [32#] 3. Send SMS message [123432#]
Add SMS Alarm Number Setting	[1-9] Means 9 groups SMS alarm number E.g. Set 13812345678 as first groups SMS alarm phone number:
Command: [4]+[1-9]+[Phone No.]+[#]	1. Press [#] on the panel and then press [4113812345678#] 2. Remote calling the panel, input [password]+[#] to enter setting status, input [4113812345678#] 3. Send SMS message [12344113812345678#]
Delete SMS Alarm Number	E.g. : Delete 2 nd group SMS alarm phone No.
Command: [4]+[1-9]+[#]	1. Press [#] on the panel and then press [42#] 2. Remote calling the panel, then input [password]+[#] to enter setting status, input [42#] 3. Send SMS message [123442#]
Voice Prompt ON/OFF	[0/1]: 1 means ON, 0 means OFF. Default is : ON E.g. : User need turn on voice prompt when setting the system
Command: [11]+[0/1]+[#]	1. Press [#] on the keypad and then press [110#] 2. Remote calling the alarm panel, input [password]+[#] to enter setting status, then press [110#] 3. Send SMS message [1234110#]
SMS Send ON/OFF	[0/1]: 1 means ON, 0 means OFF. Default is : ON E.g. : User need turn OFF SMS send to save cost
Command: [12]+[0/1]+[#]	1. Press [#] on the keypad and then press [120#] 2. Remote calling the alarm panel, input [password]+[#] to enter setting status, then press [120#] 3. Send SMS message [1234120#]
Siren Volume Setting	[00-99]: means the siren volume E.g.: User need to adjust the volume into 50
Command: [14]+[00-99]+[#]	1. Press [#] on the keypad and then press [1450#]

	<p>2. Remote calling the SIM card number, input [password]+[#] to enter setting status, then press [1450#]</p> <p>3. Send SMS message [12341450#]</p>
Keypad Lock ON/OFF	<p>When turn on keypad password protection, user need enter password then can do operations on keypad. Default password is:"1234".</p> <p>[0/1]: 0 means OFF, 1 means ON. System default is OFF</p>
Command: [17]+[0/1]+[#]	<p>E.g.: Turn ON keypad password protection.</p> <p>1. Press [#] on the keypad and then press [171#]</p> <p>2. Remote calling the alarm panel, input [password]+[#] to enter setting status, then press [171#]</p> <p>3. Send SMS message [1234171#]</p>
Passwords Modification Setting	<p>Default password is 1234.</p> <p>E. g.: Set 8888 as a new user password:</p>
Command: [50]+[4 digits new passwords.] + [#]	<p>1. Press [#] on the keypad and the press[508888#]</p> <p>2.Remote calling the panel, input [password]+[#] to enter setting status, input [508888#]</p> <p>3. Send SMS message [1234508888 #]</p>
Delay Arm Time Setting	<p>The alarm panel will enter the arming status after a certain time if arming by remote or panel. Delay arm time can be set 0-99s, default is: 00s.</p>
Command: [51] +[00-99 seconds]+[#]	<p>E.g. : User wants to set the delay arming time as 60s.</p> <p>1. Press [#] on the keypad and the press [5160#]</p> <p>2. Remote calling the alarm panel, input [password]+[#] to enter setting status, then input [5160#].</p> <p>3. Send SMS message [12345160#]</p>
Delay Alarm Time Setting	<p>The alarm panel will start to alarm after a certain time if detectors were triggered. Delay alarm time can be set 0-99s, default is: 00s.</p>
Command: [52] +[00-99 seconds]+[#]	<p>E.g. : the user wants to set the alarm delay time as 60s.</p> <p>1. Press [#] on the keypad and the press [5260#]</p> <p>2. Remote calling the alarm panel, input [password]+[#] to enter setting status, then input [5260#].</p> <p>3. Send SMS message [12345260#]</p>
Beep Duration Time of Siren Setting	<p>Siren beep duration time from 0~20min, factory default is 1min.</p>
Command: [53] + [00-20 minutes]+[#]	<p>E.g. : Set beep duration time as 5min.</p> <p>1. Press [#] on the keypad and then press [5305#]</p> <p>2. Remote calling the alarm panel, input [password]+[#] to enter setting status, then press [5305#]</p> <p>3. Send SMS message [12345305#]</p>

Siren Tone ON/OFF when Arm / Disarm by Remote Control	When arm/disarm by remote controller, user no need the siren make noise. [0/1]: 0 means ON, 1 means OFF. Factory default is on. E.g. : user wants to turn off No. 1 remote siren tone.
Command: [55]+ [00~99 Remote control number]+[0/1]+[#]	1. Press [#] on the keypad and then press [55010#] 2. Remote calling the alarm panel, input [password]+[#] to enter setting status, then press [55010#] 3. Send SMS message [123455010#]
System Time Setting	E.g. : Set Aug 1 st 2011, 09: 00: 00 as system time.
Command: [56]+[4 Digits Year]+[01-12Month]+[01-31Date]+[00-23Hour]+[00-59 Minutes]+[00-59Seconds]+[#]	1. Press [#] on the keypad and then press [5620110801090000#] 2. Remote calling the alarm panel, input [password]+[#] to enter setting status, then press [5620110801090000#]. 3. Send SMS message [12345620110801090000#]
Timing Arm Setting	This panel can set 4 groups timing arm.
Command: [57]+ [01~04 group number]+[AAAA Arm Time]+[BBBB Disarm Time]+[Monday ~ Sunday]+[#]	E.g.: Set the first group timing arm at 22:00, timing disarm at 07:00, from Monday to Friday are effectively. 1. Press [#] on the keypad and then press [57012200070012345#] 2. Remote calling the alarm panel, input [password]+[#] to enter setting status, then press [57012200070012345#] 3. Send SMS message [123457012200070012345#]
SMS Send ON/OFF When Detector's Battery Low	[0/1]: 0 means OFF, 1 means On. Default is OFF This function need use low battery notification accessories.
Command: [59]+[0/1]+[#]	E.g. : Set SMS notification ON when battery of detectors is in low voltage. 1. Press [#] on the keypad and then press [591#] 2. Remote calling the SIM card number, input [password]+[#] to enter setting status, then press [591#]. 3. Send SMS message [12341234591#] ""
Zone Type Setting	The alarm panel have 99 wireless zones and each zone can be used as eight types defense zone:
Command: [60]+[01-99]+[1-8]+[0/1]+[#]	[01-99]: Zone numbers. [1-8]: Zone type. 1: Normal Zone. 2: Stay Arm Zone. 3: Smart Zone. 4: Emergency Zone. 5: Close Zone. 6: Chime 7: Welcome 8: Help Senior

	<p>[0/1]: 0 means siren not sound when alarm triggered. 1 means siren sound when alarm triggered.</p> <p>E.g.: Set Zone 2 as Stay Arm Zone and siren not sound when alarm triggered.</p> <ol style="list-style-type: none"> 1. Press [#] on the keypad and then press [600220#] 2. Remote calling the alarm panel. Input [password]+[#] to enter setting status, then press [600220#] 3. Send SMS message [1234600220#]
Wired Zone NO/NC Mode Setting	<p>Zone 51~52 is wired zones, default setting is NO mode.</p> <p>[0/1]: 0 means NO, 1 means NC</p> <p>E.g. : Set zone 51 into NC mode.</p> <ol style="list-style-type: none"> 1. Press [#] on the keypad and then press [61511#] 2. Remote calling the alarm panel, input [password]+[#] to enter setting status, then press [61511#] 1. Send SMS message [123461511#] <p>Notes: Zone 51=Wired zone 1 and labeled Z1 in the back panel Zone 52=Wired zone 2 and labeled Z2 in the back panel</p>
Command: [61]+[51-52]+ [0/1]+[#]	
Door Sensor Two-way ON/OFF	<p>[0/1]: 0 means OFF, 1 means ON. Default is OFF.</p> <p>This function need use door sensor with door sensor two way function</p>
Command: [63]+[0/1]+[#]	<p>E.g. : Set door sensor two-way Alarm function ON</p> <ol style="list-style-type: none"> 1. Press [#] on the keypad and then press [631#] 2. Remote calling the alarm panel, input [password]+[#] to enter setting status, then press [631#] 3. Send SMS message [1234631#]
Alarm Panel AC Power Disconnect SMS Send ON/OFF	<p>[0/1]: 0 means OFF, 1 means ON. Default is ON</p> <p>E.g. : User need SMS send when AC power disconnect..</p> <ol style="list-style-type: none"> 1. Press [#] on the keypad and then press [641#] 2. Remote calling the alarm panel, input [password]+[#] to enter setting status, then press [641#]. 3. Send SMS message [1234641#]
Command: [64]+[0/1]+[#]	
Wireless Siren ON/OFF	<p>[0/1]: 0 means OFF, 1 means ON. Default is OFF</p> <p>E.g. : User need connect wireless siren, please turn on.</p> <ol style="list-style-type: none"> 1. Press [#] on the keypad and then press [671#] 2. Remote calling the alarm panel, input [password]+[#] to enter setting status, then press [671#]. 3. Send SMS message [1234671#]
Command: [67]+[0/1]+[#]	
Arm/Disarm SMS Sent ON/OFF	<p>[0/1]: 0 means OFF, 1 means ON</p> <p>E.g. : SMS Sent When Arm/Disarm</p> <ol style="list-style-type: none"> 1. Press [#] on the keypad and then press [681#] 2. Remote calling the SIM card number, input [password]+[#] to
Command: [68]+[0/1]+[#]	

	enter setting status, then press "681#". 3. Send SMS message "1234681#"
Reset	Reset to default settings. 1. Press [#] on the keypad and then press [9898#] 2. Remote calling the alarm panel, input [password]+[#] to enter setting status, then press [9898#] 3. Send SMS message [12349898#]
Command: [9898]+[#]	
Totally Reset	If user turned on keyboard password protection function and forgot its password, user can only use force restore factory setting to reset. Steps: Input 【*00*#】 on the keypad of the alarm panel, then will "Beep" 6 times. It means totally reset successfully.

10.4 SMS Query Command and Setting

The following instructions are only for SMS command to control panel remotely:

Disarm	Send SMS 12340# to alarm panel
0#	Note: 1234 is the password, If client changed password, then need use the new password
Arm	Send SMS 12341# to set the alarm panel to ARM
1#	
Stay Arm	Send SMS 12342# to set alarm panel to STAY ARM.
2#	
Query AC power Status	Send SMS 12345# to alarm panel
5#	
Query Alarm Panel General Settings	Send SMS 123411#, then alarm panel reply:
11#	Arming AC Power: Connected SMS Send: ON Password:1234 Alarm Delay:00s Arm Delay:00s Siren Time: 08 min Siren VOL:99 Remote Siren Tone: ON Low Battery: ON Key Lock: ON Voice Prompt: ON Wireless Siren: ON Door Sensor Two-way: OFF

Query Alarm Phone Number	Send SMS 123430#, then alarm panel reply :
30#	1:15012496851 2:13666666666 3:15100000000 4: 5: 6: 7: 8: 9: Means 9 groups preset alarm phone number.
SMS Query Alarm Phone Number	Send SMS 123440#, then alarm panel reply:
40#	1:15012496851 2:13666666666 3:15100000000 4: 5: 6: 7: 8: 9: Means 9 groups preset SMS phone number.
Query Alarm Panel System Time	Send 123456# to alarm panel
56#	
Query Timing Arm/Disarm status	Use for query 4 groups timing arm/disarm status. Send SMS 123457#, then alarm panel reply 2004-02-05 12:30 First Group Arm 12:00 Disarm 13:00 Week:1234567 Second Group Arm 12:00 Disarm 13:00 Week:1234 Third Group Arm 12:00 Disarm 13:00 Week: 234 Fourth Group Arm 12:00 Disarm 13:00 Week:567
57#	

Query Accessories Low Battery SMS Send	Send SMS 123459#, then alarm panel reply: Low Battery: OFF
59#	
Query Wireless Zone Status	[00-99] means 99 wireless zones Send SMS 12346001#, then alarm panel reply:
60+ [00-99]+ [#]	52 Zone is Wireless Zone Zone Type: Normal Siren: ON
Query Wired Zone Status	[51-52] means 2 wired zones Send SMS 12346151#, then reply:
61+[51-52]+ [#]	51 Zone is Wired Zone Zone Type : Normal Siren: ON Alarm Type: NO
Query Door Sensor Two-way Status	Send SMS 123463#
63+ [#]	
Query Wireless Siren Status	Send SMS 123467#
67+ [#]	
Query Arm/Disarm SMS Send Status	Send SMS 123468#
68+ [#]	
Customize Zone SMS Content	[00-99] Means 99 wireless zones Example: Send SMS "12348001 Front Door Alarm#" to the alarm panel, then replies "Zone 01 Front Door Alarm" . When alarm triggered in zone 01, then alarm panel will sent this SMS to the preset 6 groups SMS phone number.
80+[00-99]+ [SMS Content]+ [#]	Note: Maximum length of message is 25 characters.
Query Zone SMS Content	[00-99] Means 99 wireless zones Example: Send SMS"12348101 #" to the alarm panel, then replies Zone 1 SMS content.
81+[00-99]+ [#]	

Notes: "1234" in the up table means default password, if user changed new password, then need use the new one.

Use as Telephone

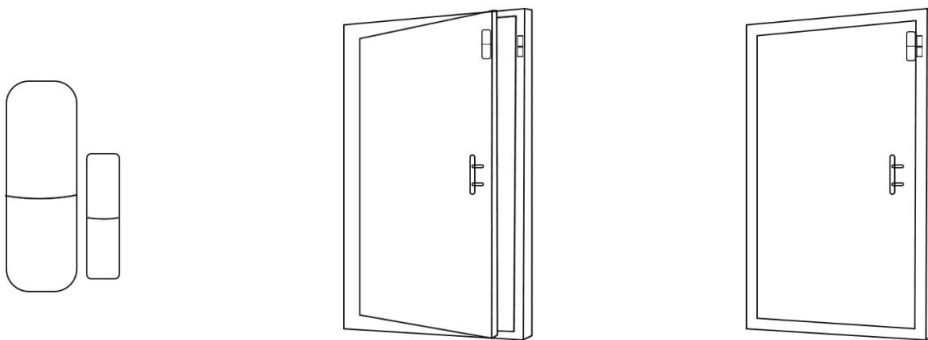
Alarm panel use as telephone command: "*+phone number which user plan to dial+#"

11. System Factory Default

Operation Password	1234		Alarm Relay Out Put	Enable
Beep Duration Time of Siren	1min		Siren Tone ON/OFF when Arm / Disarm	Enable
Delay Arming Time	0 second		Delay Alarming Time	0 second
51-54 Wired Zone	Normal Open		1-99 Zone Alarming	Siren Sound enable
SMS Message	Enable		1-99 Zone SMS Message Content	Zone Alarm

12. Installation of the Detectors:

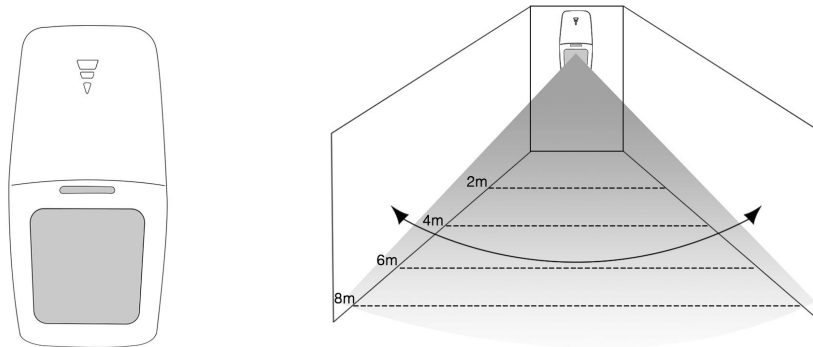
The Installation Diagram of Magnetic Door Detector:



Caution:

- A: The gap between the magnet and the sensor should be less than 10mm.
- B: After the installation, if the indicate light of the detector is on when the door is open. It proves it is installed successfully.
- C: If the indication light of the door detector flashes when it is triggered, it means the battery of the sensor is in low voltage, and you need to change the battery as soon as possible.
- D: The transmit distance of the detectors is less than 100meters in the open area, please test the distance before installing. The obstacles will change the transmitting distance.

The Installation Diagram of PIR Motion Detector:



To avoid the false alarm, please pay attention to the following point in stalling the PIR motion detector;

A: Do not face the glass window.

B: Do not face the big object which is easy to swing.

C: Do not face the cold and heat air vent or cold and heat source.

D: The furniture, mini escape or any other isolation should be away from the detecting scope.

E: Do not install two or more detectors in the same area or it will cause the interference when alarm.

F: When the detector is triggered and the LED indicator flashes, it means the battery is in low voltage, please change it as soon as possible.

G: The detecting distance is less than 8 meters, the transmitting distance is less than 100 meters. Please test the distance after installing. The obstacles will influence the distance.

13. Maintenance

System Inspection:

The System needs periodic inspection to ensure the stable and safe work. We suggest the users to inspect the system per three month and inspect the detectors per month.

Alarm Host Inspection:

A: Check whether the host can arm or disarm normally.

B: Check whether the host can call through the phone numbers when alarm occurs.

C: Check whether the host can receive the signal from detectors normally and back-up battery work normally or not.

Detector Inspection:

A: Trigger the detector by hand to check whether it can send the alarm signal successfully or not.

B: Check the battery of each detector to see whether it is short of voltage.

Cautions:

A: Do not disassemble, repair, transform the products privately, or it will cause fault or accident.

B: Do not fall the product on the hard ground to avoid the fault or damage because of the strong crash.

C: Do not set "911" or any security department's telephone numbers as the alarming phone numbers without any authorization.

14. App Control:

1. Scan the QR code on the package, or search "gsmalarme" in APP Store or "gsmalarm" in Google Play and then download.
2. Open the APP and then register one user name and password.
3. Login in the APP, then enter device name (such as home, office .etc), and then enter device number (SIM Card number of the alarm panel) and password.
4. Click save, this time APP can control the device.

Notes: App can add and control multi devices at the same time.